

4

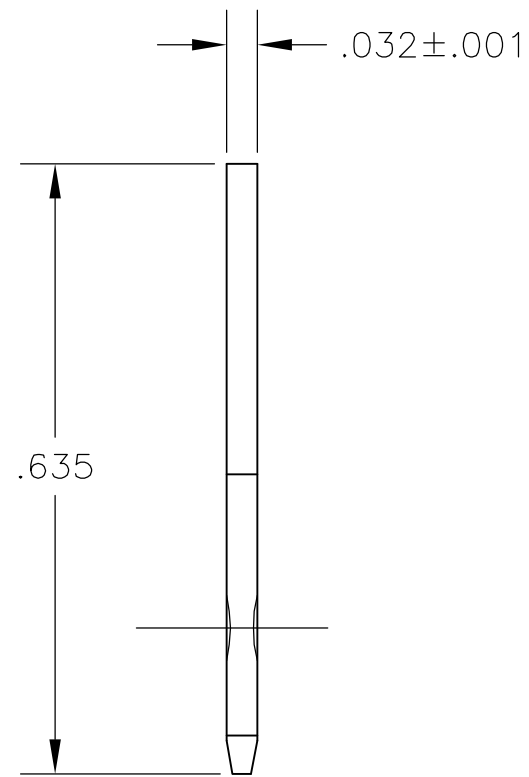
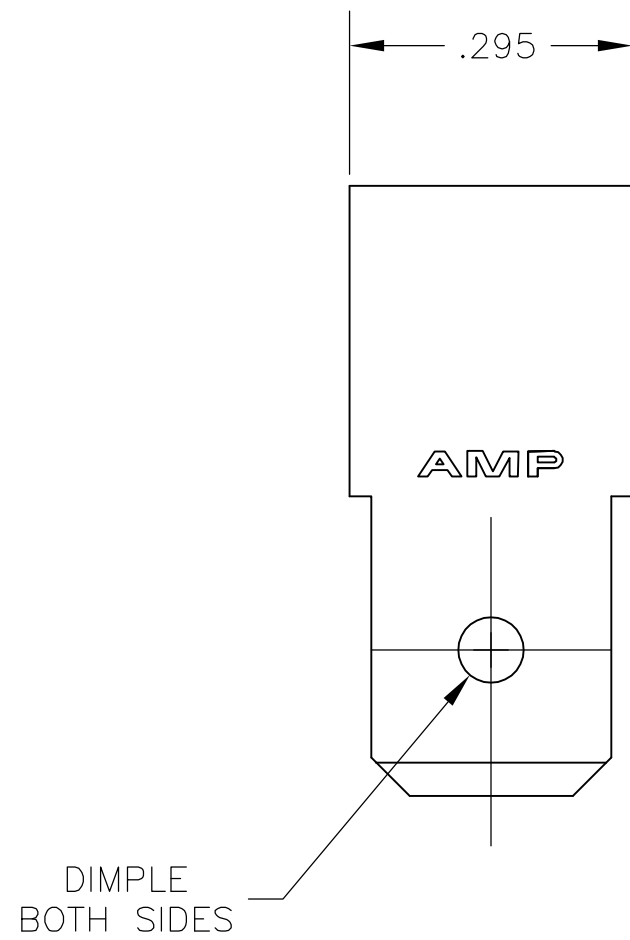
3

2

1

THIS DRAWING IS UNPUBLISHED. RELEASED FOR PUBLICATION
 © COPYRIGHT - BY TYCO ELECTRONICS CORPORATION. ALL RIGHTS RESERVED.

| LOC | DIST | REVISIONS | | | | | |
|-----|------|-----------|-----|-----------------------|---------|-----|------|
| AF | 50 | P | LTR | DESCRIPTION | DATE | DWN | APVD |
| | | F1 | | REV PER ECR-06-018933 | 11AUG06 | HMR | KR |



42559-1
 PART NO.

| | | | | |
|--|--|----------------------------|---|-----------------------|
| THIS DRAWING IS A CONTROLLED DOCUMENT. | | DWN JR RUTH 11APR01 | Tyco Electronics Corporation Harrisburg, PA 17105-3608 | |
| DIMENSIONS: INCHES | | CHK MS FEHER 11APR01 | | |
| | | APVD G PORTA 11APR01 | NAME TAB, FASTON, .250 SERIES | |
| TOLERANCES UNLESS OTHERWISE SPECIFIED: 0 PLC ± - 1 PLC ± - 2 PLC ± - 3 PLC ± .015 4 PLC ± - ANGLES ± - | | PRODUCT SPEC - | RESTRICTED TO - | |
| MATERIAL T3 STEEL | | FINISH NICKEL | APPLICATION SPEC - | SIZE A3 |
| | | WEIGHT - | CAGE CODE 00779 | DRAWING NO C-42559 |
| CUSTOMER DRAWING | | | SCALE 5:1 | SHEET 1 OF 1 |
| | | | REV F1 | |